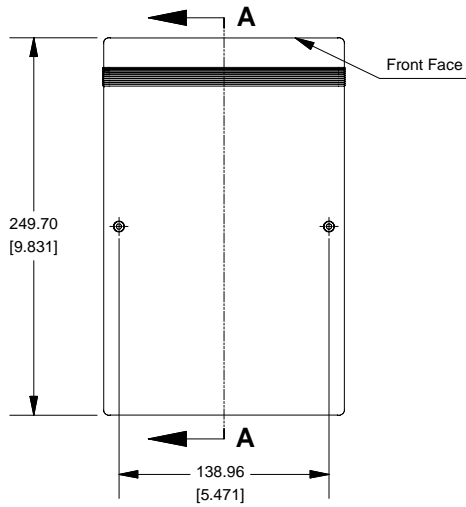
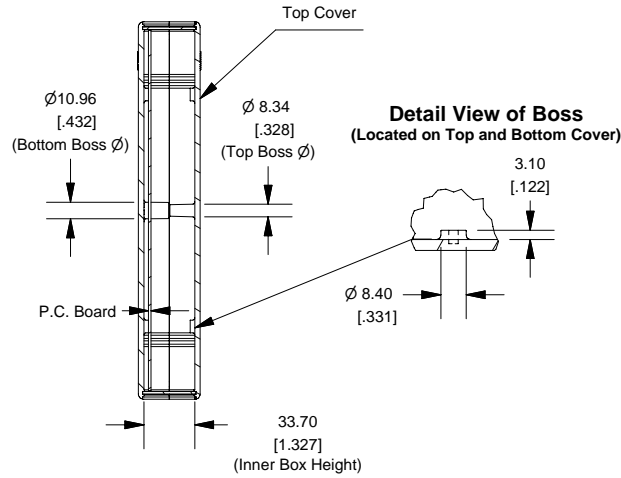


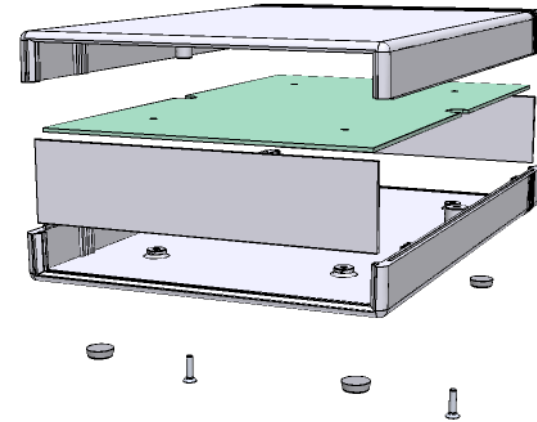
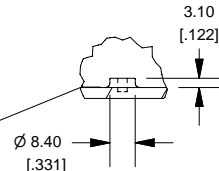
Bottom View of Assembly



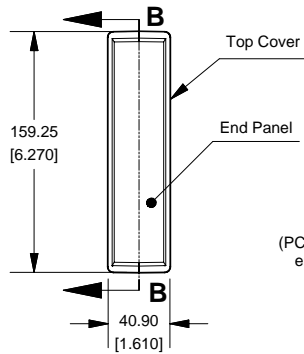
SECTION A-A (Side View Inside Assembly)



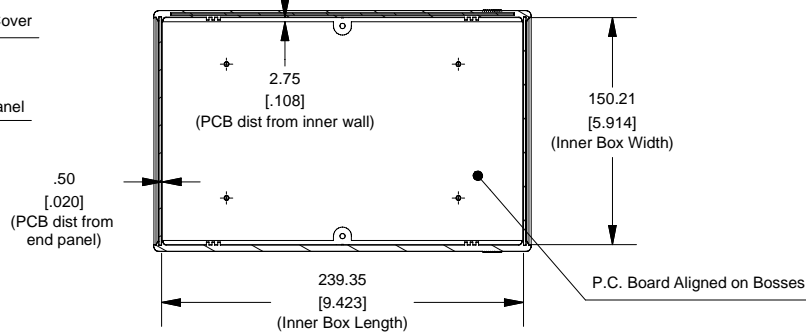
Detail View of Boss (Located on Top and Bottom Cover)



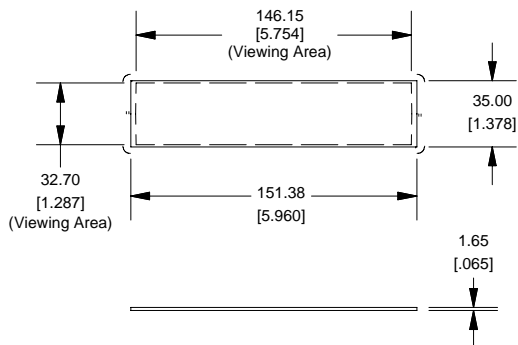
End View of Assembly



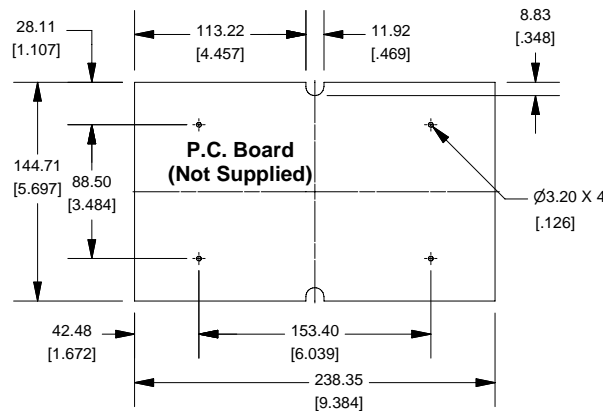
SECTION B-B (Inside of Bottom Cover)



Front/Rear Panel (Dashed Line Indicates Viewing Area)



Maximum P.C. Board Size



Enclosures can be Factory Modified (Milling, Drilling, Printing etc.)
Solid models of this enclosure available in STEP or IGES.
Contact Factory mjm@hammondmfg.com

NOTE

Purchased Assembly includes top and bottom cover, front and end aluminum panels (alloy 5052-H32, SPV coating on one side), 2 cover screws, and 4 rubber feet.

| 1598F Instrument Case | |
|---|-------------|
| FLAME RETARDANT ABS (UL94-VO) | |
| Black Enclosure with Aluminum Panels | 1598FBK |
| Grey Enclosure with Aluminum Panels | 1598FGY |
| Black EMI/RFI Shielded | 1598RFBK |
| NON-FLAME RETARDANT GPABS (UL94-HB) | |
| Grey Enclosure with Aluminum Panels | 1598FSGY |
| Grey Enclosure with Black Plastic Panels | 1598FSGYPBK |
| ACCESSORIES | |
| Black Plastic Panels | 1598PLFBK |
| Rubber Feet (Pkg 24) | 1421T2 |
| For 1598 FR-ABS | |
| Cover Screws (Pkg 100) [M3 - 0.5 x 10mm] | 1591MS100 |
| For 1598 GPABS | |
| Cover Screws (Pkg 100) [#4 x 5/8" (15.9mm)] | 1591TS100 |
| For Both Models | |
| PCB Screws (Pkg 100) [#6 x 1/4" (6.4mm)] | 1598ATS100 |

